

### ALF16-120V-WW RET-GL

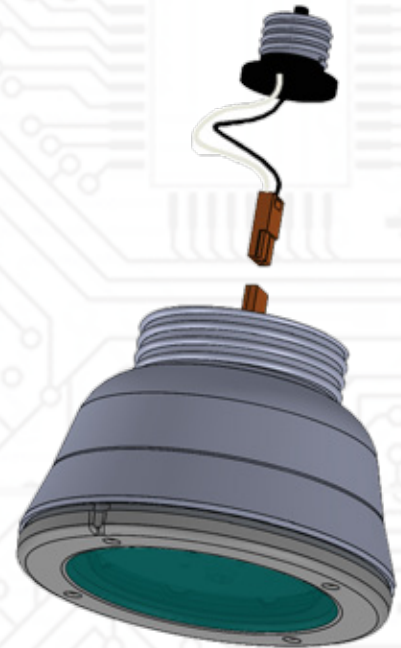
#### Retrofit

Description	Lamp Type /Catalog #
Retrofit Fixture	ALF16-120V-WW RET-GL

Retrofit for Models L55 Series under COMPONENT HARDWARE GROUP INC/E80045, and 1801 under KASON IND/E57013.

### Specifications

<b>Typical Application:</b>	Commercial Cooking Hoods
<b>Input Voltage:</b>	120VAC, 60HZ
<b>Input Current:</b>	140mA
<b>Power Consumption:</b>	17W
<b>Color Temperature:</b>	Warm White 3500°K
<b>Mounting Distance:</b>	Min. 1.2M (4ft) above cooking surface
<b>Typical Brightness (lumens/fixture):</b>	1250 lumens
<b>Location:</b>	Suitable for Dry & Wet locations IP67
<b>Operating Temperature:</b>	-40° C to +75° C
<b>Fixture Base:</b>	Die cast aluminum
<b>Lamp Body:</b>	Stainless steel
<b>Gasket:</b>	Silicone
<b>Overall Size:</b>	5.93" Dia. x 2.95" H
<b>Warranty:</b>	1 year
<b>Certifications:</b>	UL Listed, CSA Approved, NSF and CE



**PATENTED**

No need for external power supply.  
120VAC direct input.



**Allanson**  
LIGHTING TECHNOLOGIES

83 Commerce Valley Dr. E., Markham, ON L3T 7T3  
www.allanson.com | cservice@allanson.com | T: 1.800.661.7251 | F: 416.752.6717

# Installation Guide

## Commercial Kitchen LED Hood Lamp

### ALF16-120V-WW RET-GL

Retrofit for Models L55 Series under COMPONENT HARDWARE GROUP INC/E80045,  
and 1801 under KASON IND/E57013.

TO REDUCE THE RISK OF FIRE AND REDUCE THE RISK OF ELECTRICAL SHOCK, DO NOT REMOVE THE RETROFIT LED HOUSING AND LED DRIVER.

**WARNING** - Risk of fire or electrical shock. LED Retrofit Kit installation requires knowledge of luminaries electrical system. If not qualified, do not attempt installation. Contact a qualified electrician.

Do not make or alter any open holes in an enclosure of the wiring or electrical components during kit installation. Make sure the input rating of the retrofit kit does not exceed the input rating of the luminaries.

DO NOT EXPOSE THIS RETROFIT TO RAIN

**WARNING**- To prevent wiring damage or abrasion, do not expose wiring to edges of sheet metal or other sharp objects.

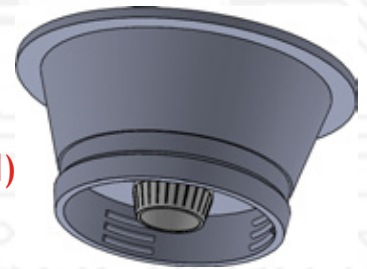
“NOT FOR USE WITH DIMMERS”

**CAUTION** - RISK OF ELECTRICAL SHOCK - USE IN DRY or DAMP LOCATIONS ONLY.  
Turn off all power at circuit breaker or remote switch before installing or servicing.

#### Mounting the LED Retrofit fixture to the Existing Housing

- Step 1:** Disconnect power
- Step 2:** Remove exiting glass housing and incandescent lamp from lamp base
- Step 3:** Disconnect orange quick connect and secure adaptor to the lamp holder. Reconnect the quick connector to complete the installation
- Step 4:** Turn clock wise to secure New Led Lamp Housing (ALF... series) onto the existing lamp base

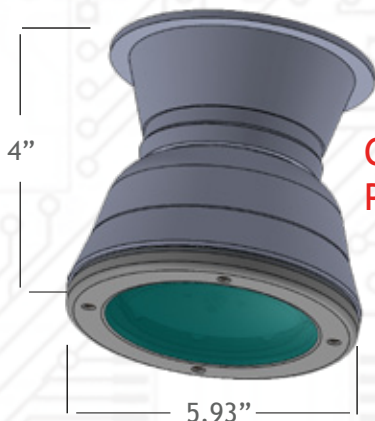
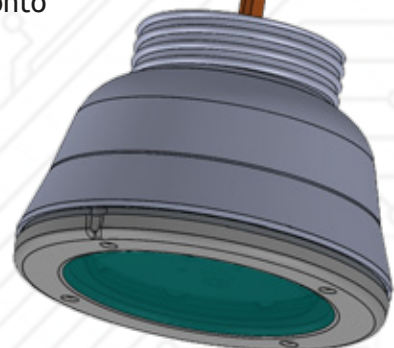
Housing Base  
(Not included)



Adaptor



Orange quick  
connect



Complete Installed  
Product



**Allanson**  
LIGHTING TECHNOLOGIES

83 Commerce Valley Dr. E., Markham, ON L3T 7T3  
www.allanson.com | cservice@allanson.com | T: 1.800.661.7251 | F: 416.752.6717