

Specifications Guide

UV Ballasts

UVB50W-120-240V-PD

Dimming

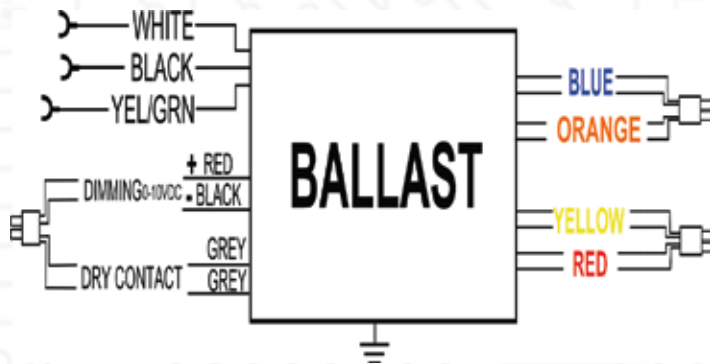
Lamp Type /Catalog #	Manufacturer	# of Lamps	Power (W)	Current (mA)
LTCQ/18W/L/2G11	Light Source	2	18	370
TUV PL-L 18W/4P	Philips	2	18	370

Ballast Specifications

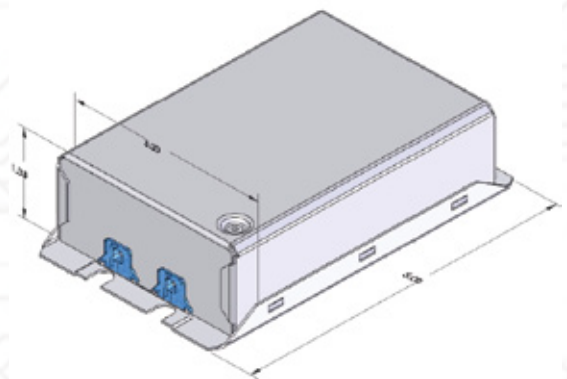
Ballast type: Program Start (PS)
Number of lamps: 2
Normal input voltage: 120-240V, +/-10%, 50-60 Hz
Input current: 0.43/0.22A
Input power: 50W
Operating frequency: > 30kHz
Approvals: UL/cUL Listed, Class "P"

Power factor: > 95% @ full load
Protection: EOL/OC
Dimming range: 100% to 50% (total lamp watts: 36W max - 18W min)
Dimming control: 0-10 VDC
EMI/RFI Compliance: FCC PART 18
Sound rating: "A"
Weight: 1.10 lbs

Wiring Diagram and Dimensions



Dimensions: 5.0" (L) x 3.0" (W) x 1.3" (H)



Dimming and control (External DC voltage, 10VDC for 100%, & 0VDC for 50%).
Dry contact for sensing, and alarming both ballast/lamp operation, and failure.



Allanson
LIGHTING TECHNOLOGIES

