

Specifications Guide

UV Ballasts

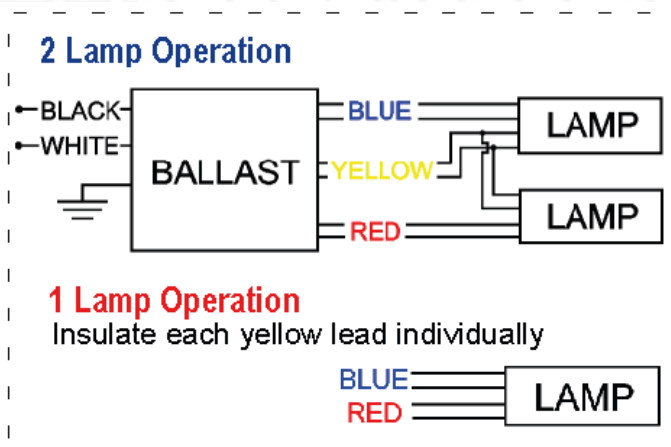
UVB100W-425-120-240V

Lamp Type /Catalog #	Manufacturer	# of Lamps	Power (W)	Current (mA)
GPH843T5L/4P	Light Source	1 - 2	41	425
GPH1554T5L/4P	Light Source	1	75	425
TUV PL-L36W/4P	Philps	1 - 2	36	440
TUV 64T5 HE 4P SE	Philps	1	75	425

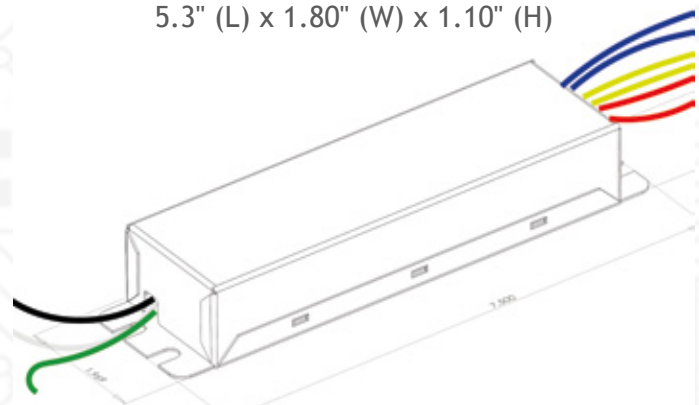
Ballast Specifications

Ballast type:	Program Start (PS)	Power Factor:	> 95%
Number of lamps:	1 - 2	Output Current:	425mA
Normal input voltage:	120-240V, +/-10%, 50-60Hz	Efficiency:	> 90%
Input current:	0.84A(120V)/0.42A(240V)	Lamp Current Crest Factor:	1.7 or less
Input power:	100W @ full load	Striking/ignition voltage:	1500 volt
Operating frequency:	> 30kHz	Filament preheat time:	1.5-2.0 seconds
EMI requirements:	Meet FCC Part 18	Ballast shut down/protection:	EOL/OC
Approvals:	UL/cUL Listed, Class "P", Indoor, Type 1	Ambient temperature:	0-40°C
		Case maximum temperature:	75°C
		Sound rating:	"A"
		Weight:	0.80 lbs

Wiring Diagram and Dimensions



5.3" (L) x 1.80" (W) x 1.10" (H)



Allanson
LIGHTING TECHNOLOGIES



33 Cranfield Road, Toronto, ON M4B 3H2

www.allanson.com | cservice@allanson.com | T: 1.800.661.7251 | F: 416.752.6717