

Specifications Guide

UV Ballasts

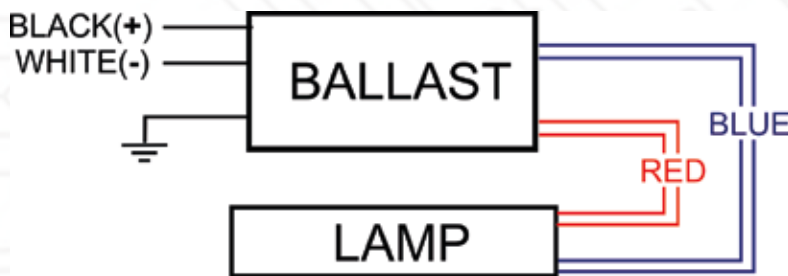
UVB120WHO-120-240V-ID

| Lamp Type /Catalog # | Manufacturer | # of Lamps | Power (W) | Current (mA) |
|----------------------|--------------|------------|-----------|--------------|
| GPH1148T5HO | Light Source | 1 | 120 | 800 |
| GPH1067T5HO | Light Source | 1 | 110 | 800 |
| TUV PL-L 95W /4P HO | Philps | 1 | 95 | 800 |
| TUV PL-L 60W /4P HO | Philps | 1 | 60 | 800 |
| TUV 36T5 HO | Philps | 1 | 75 | 800 |

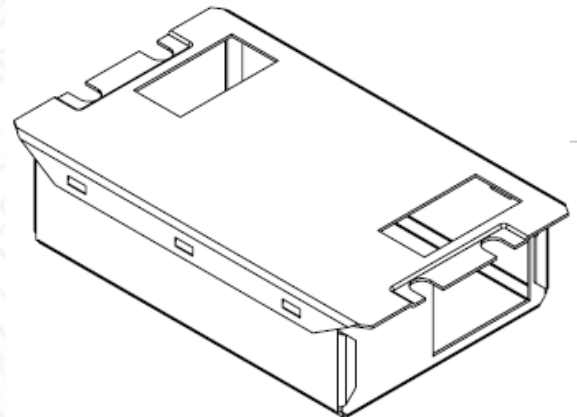
Ballast Specifications

| | | | |
|------------------------------|---|--------------------------------------|-----------------|
| Ballast type: | Program Start (PS) | Power Factor: | > 95% |
| Number of lamps: | 1 | Output Current: | 800mA |
| Normal input voltage: | 120-240V, +/-10%, 50-60Hz | Efficiency: | > 90% |
| Input current: | 1.05A(120V)/0.53A(240V) | Lamp Current Crest Factor: | 1.7 or less |
| Input power: | 120W @ full load | Striking/Ignition voltage: | 1500 volt |
| Operating frequency: | > 30kHz | Filament preheat time: | 1.5-2.0 seconds |
| EMI requirements: | Meet FCC Part 18 | Ballast shut down/protection: | EOL/OC |
| Approvals: | UL/cUL Listed, Class "P", Indoor, Type 1, CE | Ambient temperature: | 0-40°C |
| | | Case maximum temperature: | 75°C |
| | | Sound rating: | "A" |
| | | Weight: | 1.10 lbs |

Wiring Diagram and Dimensions



Leads available for external LEDs in both input side (Power on), and output side (Lamp on).



Allanson
LIGHTING TECHNOLOGIES



33 Cranfield Road, Toronto, ON M4B 3H2

www.allanson.com | cservice@allanson.com | T: 1.800.661.7251 | F: 416.752.6717