

Specifications Guide

UVB Ballasts

UVB148T6-1800-MV

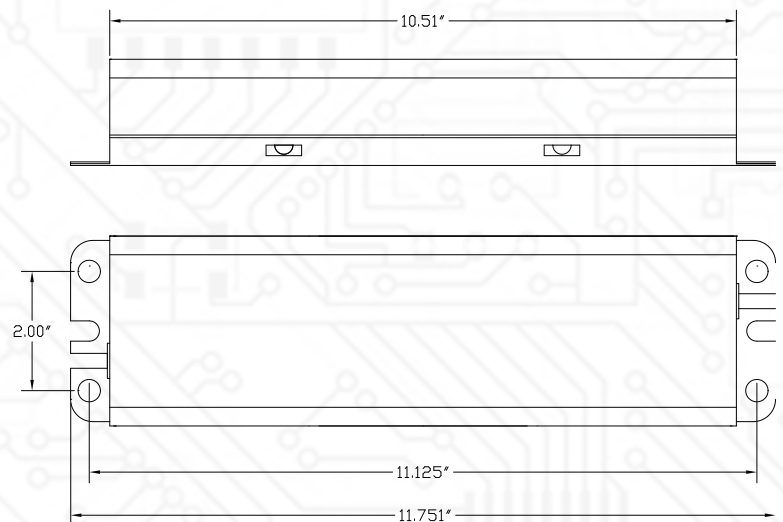
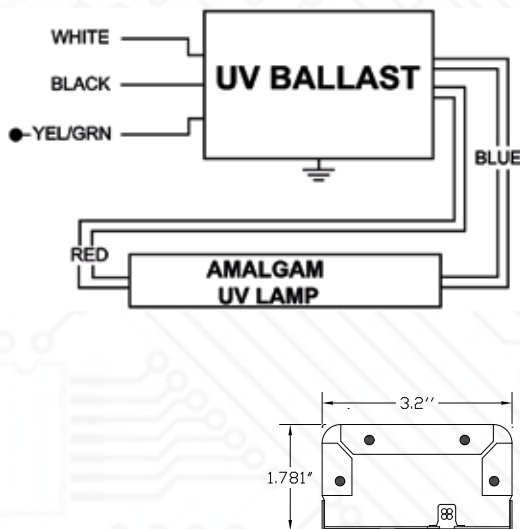
Amalgam

Lamp Type /Catalog #	Manufacturer	Power (W)	Current (A)
NNI 80/61	Heraeus	120	1.8
NNI 80/36 U	Heraeus	115	1.5
NNI 120/44 U	Heraeus	125	1.5
GPHVA1000T6L	Light Sources	150	1.8
GPHVA843T6L	Light Sources	127	1.8
TUV115W VHO	Philips	115	1.8

Ballast Specifications

Ballast type:	Program Start (PS)	Operating frequency:	> 25kHz
Number of lamps:	1	Lamp current crest factor:	1.7 or less
Normal input voltage:	120-240V, +/-10%, 50/60 Hz	Power factor:	> 95%
Input current:	1.32A(120V)/0.70A(240V)	Efficiency:	> 90%
Input power:	155W @ full load	Ambient temperature:	0-40°C
Approvals:	UL/cUL Listed, Class "P", Outdoor, Type 1	Case maximum temperature:	75°C
		Sound rating:	"A"
		Weight:	5.20 lbs

Wiring Diagram and Dimensions



Allanson
LIGHTING TECHNOLOGIES

