

### UVB264T5-800-MV

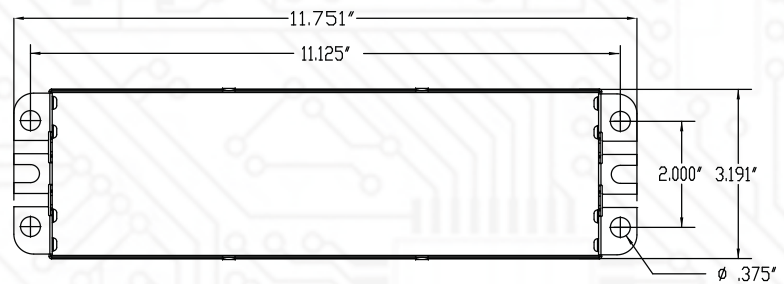
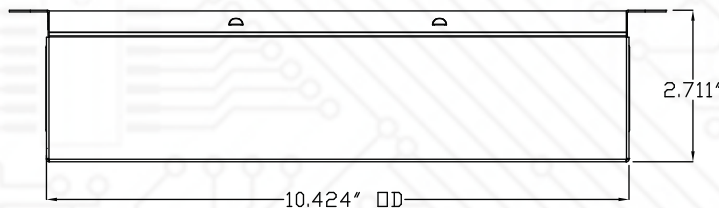
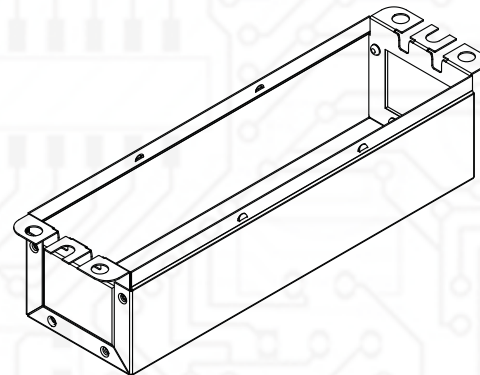
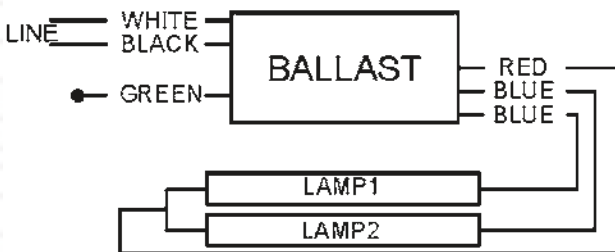
Lamp Type / Catalog #	Manufacturer	Power (W)	Current (mA)
G64T5L/HO	First Light	145	800
G36T5L/HO	First Light	75	800
GHO64T5L	Light Sources	155	800
GHO36T5L	Light Sources	87	800
TUV64T5HO	Philips	145	800
TUV36T5HO	Philips	75	800
G64T5HO	Atlantic UV	145	800

### Ballast Specifications

**Ballast type:** Instant Start (IS)  
**Number of lamps:** 2  
**Normal input voltage:** 120-277V, +/- 10%, 50/60 Hz  
**Input current:** 2.60A(120V)/1.25A(277V)  
**Input current THD:** < 10%  
**Input power:** 290W @ full load  
**Approvals:** UL/cUL Listed, Class "P", Outdoor, Type 1

**Operating frequency:** > 25kHz  
**Lamp current crest factor:** 1.7 or less  
**Power factor:** > 95%  
**Efficiency:** > 90%  
**Ambient temperature:** 0-45°C  
**Case maximum temperature:** 75°C  
**Sound rating:** "A"  
**Weight:** 6.55 lbs

### Wiring Diagram and Dimensions



**Allanson**  
LIGHTING TECHNOLOGIES



33 Cranfield Road, Toronto, ON M4B 3H2

www.allanson.com | cservice@allanson.com | T: 1.800.661.7251 | F: 416.752.6717