

### UVB160WHO-120-240V

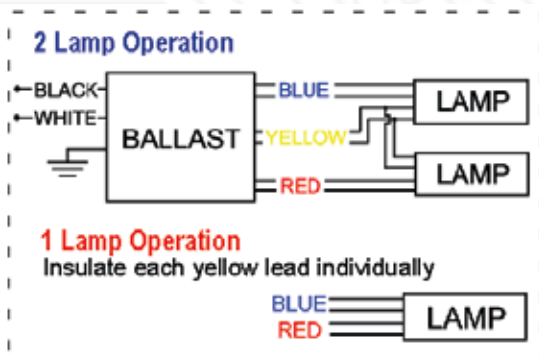
Lamp Type /Catalog #	Manufacturer	# of Lamps	Power (W)	Current (A)
TUV 75W HO (T8)	Philips	1-2	75	840
CHS-120WH	Light Progress	1	120	800
CHS-60WH	Light Progress	1-2	60	800
TUV36T5HO 4P-SE	Philips	1-2	75	800
TUV PL-L95W /HO	Philips	1	95	800

### Ballast Specifications

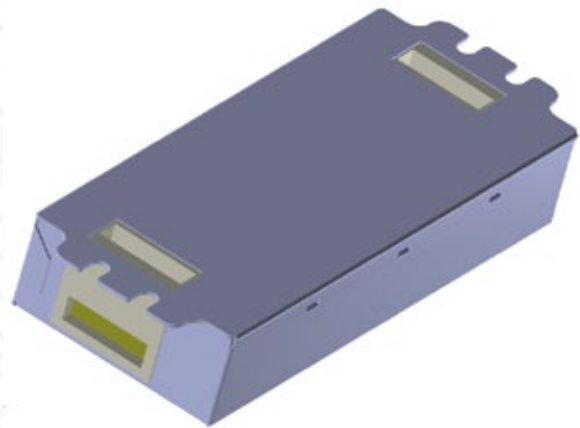
**Ballast type:** Program Start (PS)  
**Number of lamps:** 1 or 2  
**Normal input voltage:** 120-240V, +/-10%, 50/60 Hz  
**Input current:** 1.35A(120V)/0.68A(240V)  
**Input current THD:** < 10%  
**Input power:** 160W @ full load  
**Power factor:** > 95%  
**Approvals:** UL/cUL Listed, Class "P",  
 Indoor, Type 1, CE

**Operating frequency:** > 25kHz  
**Lamp current crest factor:** 1.7 or less  
**Efficiency:** > 90%  
**Ambient temperature:** 0-40°C  
**Case maximum temperature:** 75°C  
**Filament preheat time:** 1.5-2.0 seconds  
**Ballast shut down/Protection:** EOL/OC  
**Sound rating:** "A"  
**Weight:** 1.90 lbs

### Wiring Diagram and Dimensions



Dimensions: 8.0" (L) x 3.0" (W) x 1.40" (H)



**Allanson**  
 LIGHTING TECHNOLOGIES



33 Cranfield Road, Toronto, ON M4B 3H2

www.allanson.com | cservice@allanson.com | T: 1.800.661.7251 | F: 416.752.6717