

Specifications Guide

UVB Ballasts

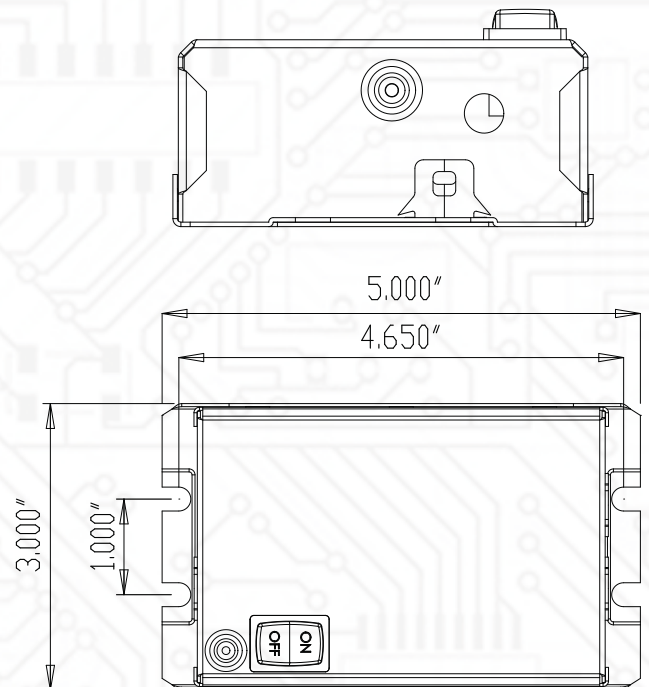
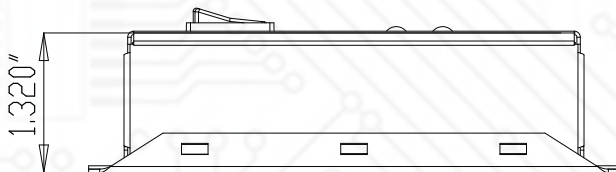
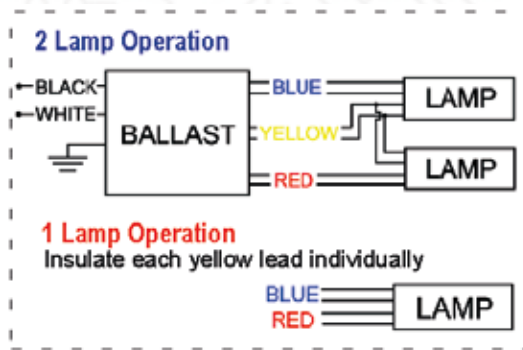
UVB80WHO-120-240V

Lamp Type /Catalog #	Manufacturer	Power (W)	Current (mA)
TUV PL-L35W/HO	Philips	35	850
TUV PL-L60W/HO	Philips	60	680
G36T5L/HO	First Light	75	800
GHO36T5VH/4	Light Sources	80	800

Ballast Specifications

Ballast type:	Program Start (PS)	Power factor:	> 95%
Number of lamps:	1 or 2	Efficiency:	> 90%
Normal input voltage:	120-240V, +/- 10%, 50-60 Hz	Ballast shut down/protection:	EOL/OC
Input current:	0.66A(120V)/0.33(240V)	Status indication/Alarm:	Timer, buzzer, reset switch, LEDs
Input current THD:	< 10%	Ambient temperature:	0-40°C
Input power:	80W @ full load	Case maximum temperature:	75°C
Operating frequency:	> 25kHz	Sound rating:	"A"
Lamp current crest factor:	1.7 or less	Weight:	1.10 lbs
Approvals:	UL Listed, Class "P", Indoor, Type 1		

Wiring Diagram and Dimensions



Allanson
LIGHTING TECHNOLOGIES



33 Cranfield Road, Toronto, ON M4B 3H2

www.allanson.com | cservice@allanson.com | T: 1.800.661.7251 | F: 416.752.6717