

# Specifications Guide

## UVB Ballasts

### UVB50W-24V

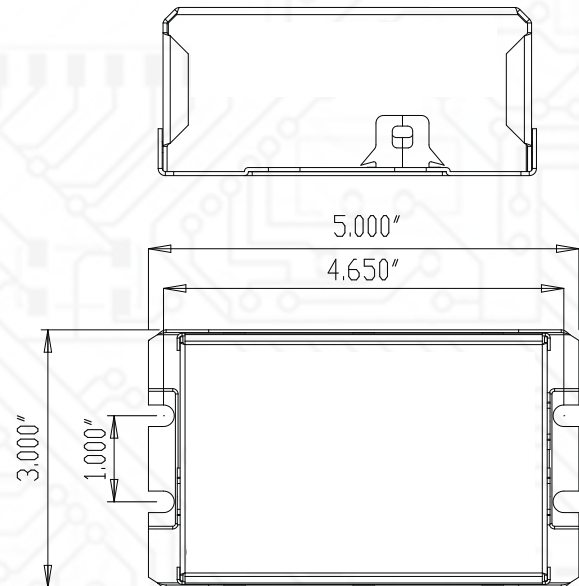
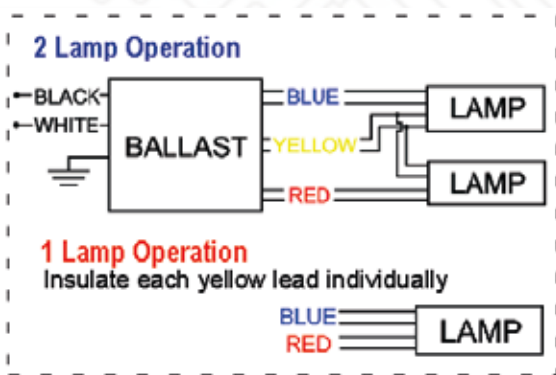
Lamp Type /Catalog #	Manufacturer	Power (W)	Current (mA)
ASIH1003 (17")	Ultravation	24	400
ASIH1001 (12")	Ultravation	16	400
TUV 25W 4P SE	Philips	23	350
GPH436T5VH/4	Heraeus	21	400
GPH436T5L	First Light	25	450
GPH463T5L/4	Atlantic	23	425

### Ballast Specifications

**Ballast type:** Program Start (PS)  
**Number of lamps:** 1 or 2  
**Normal input voltage:** 24VAC, +/- 10%, 50/60 Hz  
**Input current:** 2.5A  
**Input power:** 50W @ full load  
**Operating frequency:** > 25kHz  
**Lamp current crest factor:** 1.7 or less  
**Approvals:** UL/cUL Listed, Class "P", Indoor, Type 1

**Power factor:** > 90% (with step down transformer)  
**Efficiency:** > 90%  
**Ballast shut down/protection:** EOL/OC  
**Ambient temperature:** 0-40°C  
**Case maximum temperature:** 75°C  
**Sound rating:** "A"  
**Weight:** 1.10 lbs

### Wiring Diagram and Dimensions



**Allanson**  
 LIGHTING TECHNOLOGIES



33 Cranfield Road, Toronto, ON M4B 3H2

www.allanson.com | cservice@allanson.com | T: 1.800.661.7251 | F: 416.752.6717