

Specifications Guide

UVB Ballasts

UVB248T5-425-MV

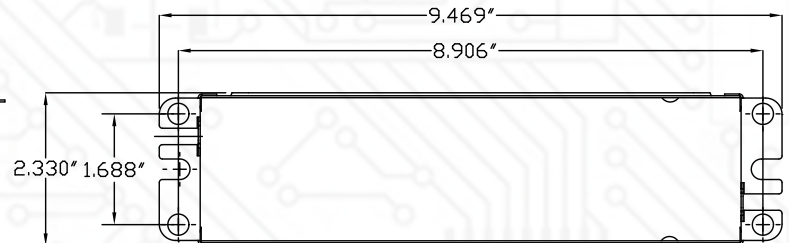
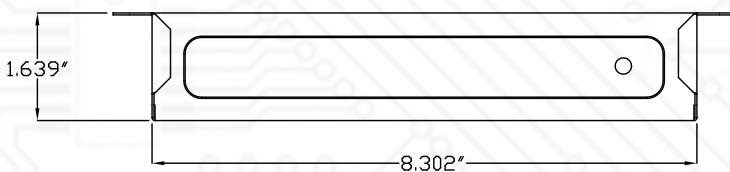
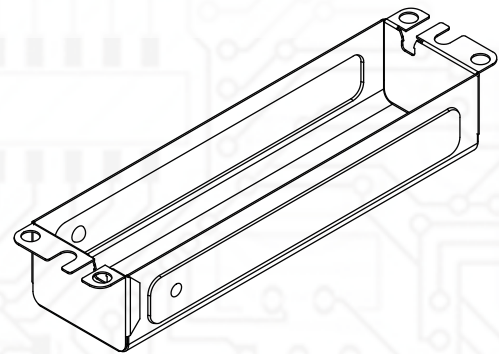
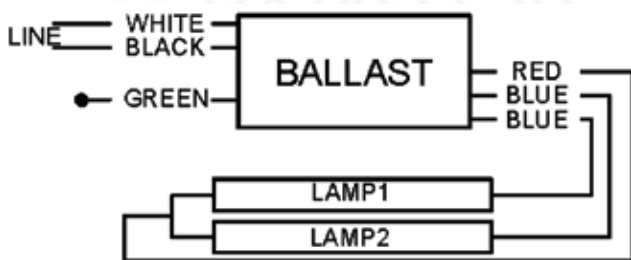
Lamp Type /Catalog #	Manufacturer	Power (W)	Current (mA)
G48T5L	First Light	55	425
G36T5L	First Light	41	425
GPH843T5VH	Light Sources	41	425
GPH1148T5VH	Light Sources	55	425
GPH793T5VH	Heraeus	38	425
G36T5VH	Heraeus	41	425

Ballast Specifications

Ballast type: Instant Start (IS)
Number of lamps: 2
Normal input voltage: 120-277V, +/-10%, 50/60 Hz
Input current: 1.10A(120V)/0.50A(277V)
Input current THD: < 10%
Input power: 128W @ full load
Approvals: UL/cUL Listed,
Class "P", Indoor, Type 1

Operating frequency: > 20kHz
Lamp current crest factor: 1.7 or less
Power factor: > 95%
Efficiency: > 90%
Ambient temperature: 0-40°C
Case maximum temperature: 75°C
Sound rating: "A"
Weight: 2.55 lbs

Wiring Diagram and Dimensions



Allanson
LIGHTING TECHNOLOGIES



33 Cranfield Road, Toronto, ON M4B 3H2

www.allanson.com | cservice@allanson.com | T: 1.800.661.7251 | F: 416.752.6717