

# Specifications Guide

## UVB Ballasts

### UVB164T6-2100-MV-PD

Dimming

Amalgam

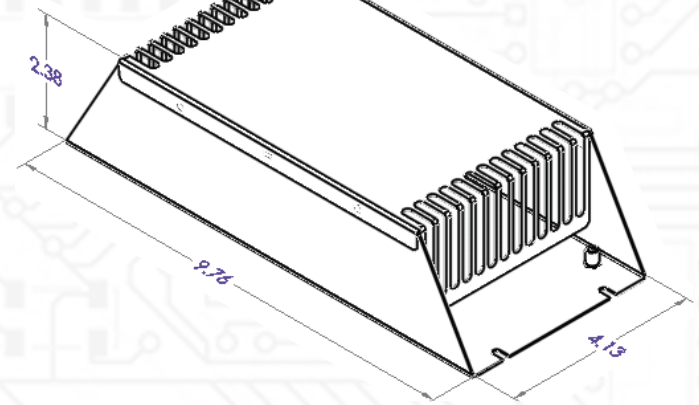
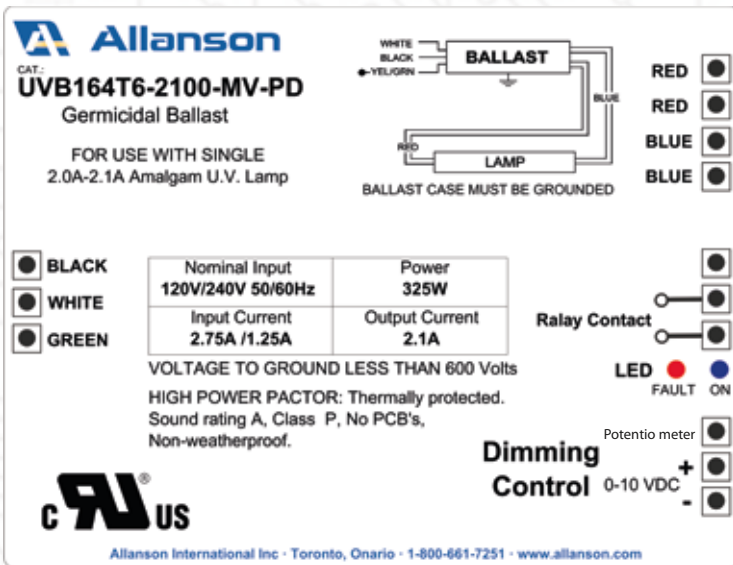
Lamp Type /Catalog #	Manufacturer	Power (W)	Current (A)
NNI 300/147XL	Heraeus	325	2.1
TUV 325W XPT	Philips	280	2.1
GIA1564T6LCA/2S13	First Light	260	2
GPHHA1554T6L	Light Sources	320	2.1

### Ballast Specifications

**Ballast type:** Program Start (PS)  
**Number of lamps:** 1  
**Normal input voltage:** 120-240V, +/-10%, 50-60 Hz  
**Input current:** 2.75A(120V)/1.40A(240V)  
**Input power:** 330W @ full load  
**Operating frequency:** > 25kHz  
**Lamp current crest factor:** 1.7 or less  
**Approvals:** UL/cUL Recognized, Class "P", Indoor, Type 1

**Power factor:** > 95%  
**Efficiency:** > 90%  
**Protection:** EOL/OC  
**Low inrush current:** 5 A  
**Dimming range:** 100% to 50% (output current)  
**Dimming control:** 0-10 VDC  
**Sound rating:** "A"  
**Weight:** 1.66 lbs

### Wiring Diagram and Dimensions



Dimming and control (external DC voltage). Red, blue diagnostic LEDs, and dry contact for sensing, and alarming both ballast/lamp operation, and failure.



**Allanson**  
 LIGHTING TECHNOLOGIES

