

Specifications Guide

UVB Ballasts

UVB164T6-2100-MV-PDP

Dimming

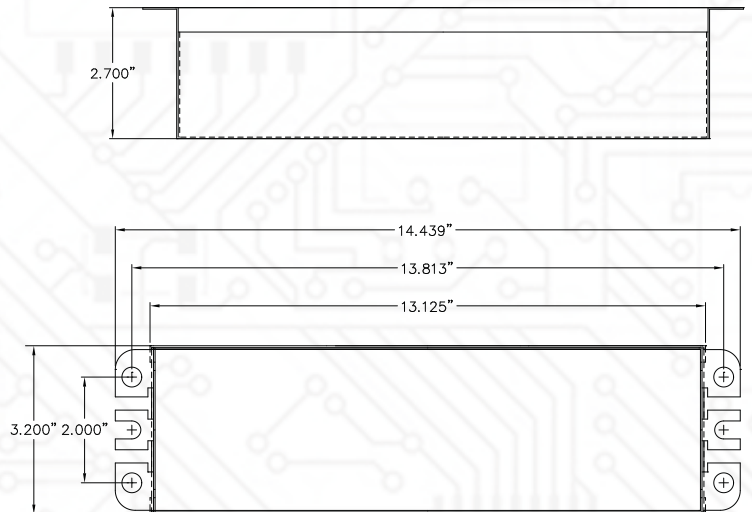
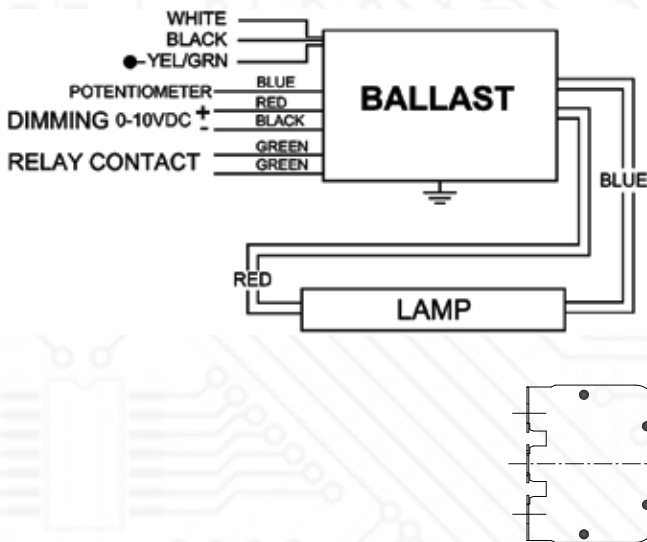
Amalgam

Lamp Type /Catalog #	Manufacturer	Power (W)	Current (A)
NNI 300/147XL	Heraeus	325	2.1
TUV 325W XPT	Philips	280	2.1
GIA1564T6LCA/2S13	First Light	260	2
GPHHA1554T6L	Light Sources	320	2.1

Ballast Specifications

Ballast type:	Program Start (PS)	Power factor:	> 95%
Number of lamps:	1	Efficiency:	> 90%
Normal input voltage:	120-240V, +/-10%, 50-60 Hz	Protection:	EOL/OC
Input current:	2.75A(120V)/1.40A(240V)	Low inrush current:	5A
Input power:	330W @ full load	Dimming range:	100% to 50% (output current)
Operating frequency:	> 25kHz	Dimming control:	0-10 VDC
Lamp current crest factor:	1.7 or less	Sound rating:	"A"
Approvals:	UL/cUL Listed, Class "P", Indoor, Type 1	Weight:	8.15 lbs

Wiring Diagram and Dimensions



Allanson
LIGHTING TECHNOLOGIES

