

# Specifications Guide

## UVB Ballasts

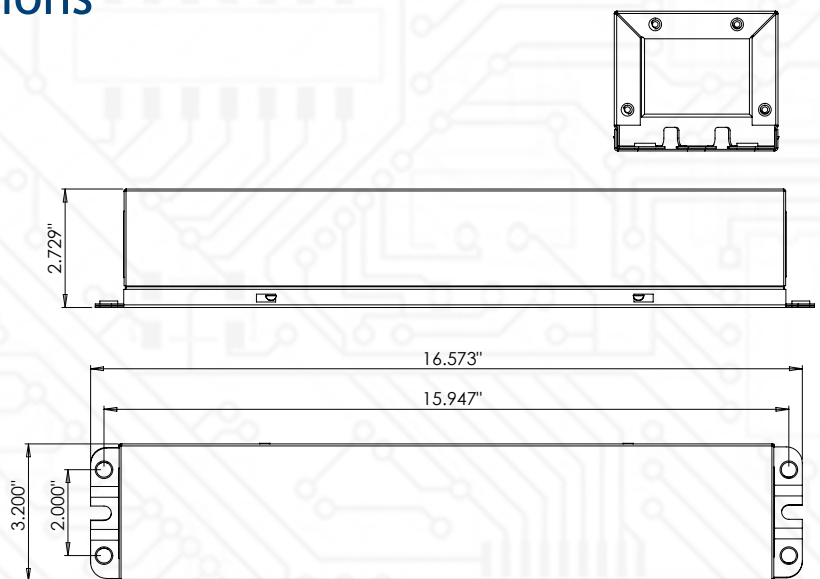
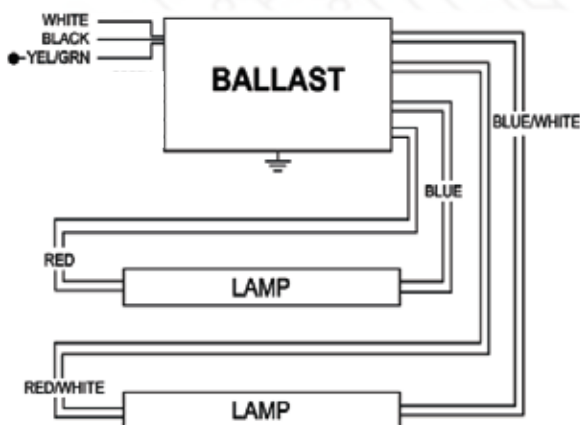
### UVB248T6-1800-MV

Amalgam	Lamp Type /Catalog #	Manufacturer	Power (W)	Current (A)
	NNI 80/61	Heraeus	120	1.8
	NNI 80/36 U	Heraeus	115	1.5
	NNI 120/44 U	Heraeus	125	1.5
	GPHVA1000T6L	Light Sources	150	1.8
	GPHVA843T6L	Light Sources	127	1.8
	TUV115W VHO	Philips	115	1.8

### Ballast Specifications

<b>Ballast type:</b>	Program Start (PS)	<b>Operating frequency:</b>	> 25kHz
<b>Number of lamps:</b>	2	<b>Lamp current crest factor:</b>	1.7 or less
<b>Normal input voltage:</b>	120-240V, +/-10%, 50/60 Hz	<b>Power factor:</b>	> 95%
<b>Input current:</b>	2.65A(120V)/1.40A(240V)	<b>Efficiency:</b>	> 90%
<b>Input current THD:</b>	< 10%	<b>Ambient temperature:</b>	0-40°C
<b>Input power:</b>	310W @ full load	<b>Case maximum temperature:</b>	75°C
<b>Approvals:</b>	UL/cUL Listed, Class "P", Outdoor, Type 1	<b>Sound rating:</b>	"A"
		<b>Weight:</b>	8.75 lbs

### Wiring Diagram and Dimensions



**Allanson**  
LIGHTING TECHNOLOGIES



33 Cranfield Road, Toronto, ON M4B 3H2

www.allanson.com | cservice@allanson.com | T: 1.800.661.7251 | F: 416.752.6717