

UVB664T5-425-MV

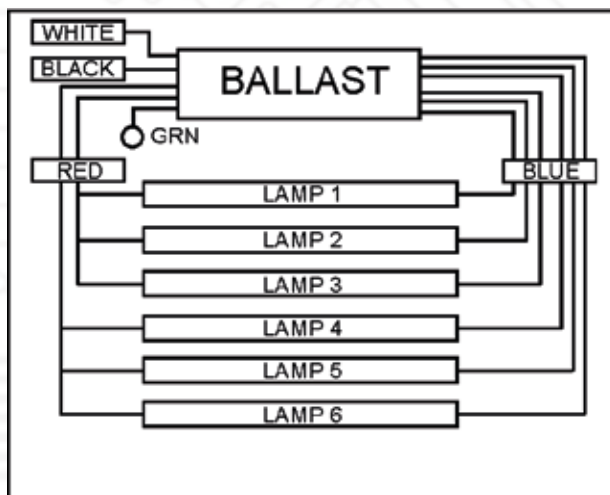
| Lamp Type /Catalog # | Manufacturer | Power (W) | Current (mA) |
|----------------------|---------------|-----------|--------------|
| G67T5VH | Heraeus | 78 | 380 |
| G37T5VH | Heraeus | 48 | 360 |
| GPH1630T5VH | Light Sources | 79 | 425 |
| GPH1148T5VH | Light Sources | 55 | 425 |
| TUV64T5 HE | Philips | 75 | 425 |
| TUV36T5 HE | Philips | 40 | 425 |
| G64T5VH | Atlantic UV | 65 | 425 |

Ballast Specifications

Ballast type: Instant Start (IS)
Number of lamps: 4 to 6
Normal input voltage: 120-240V, +/-10%, 50/60 Hz
Input current: 4.30A(120V)/2.15A(240V)
Input power: 500W @ full load
Operating frequency: > 25kHz
Approvals: UL/cUL Recognized, Class "P", Indoor

Lamp current crest factor: 1.7 or less
Power factor: > 95%
Efficiency: > 90%
Status indication/alarm: LEDs, Relay contact (24VDC, 500mA)
Sound rating: "A"
Weight: 3.62 lbs

Wiring Diagram and Dimensions



Dimensions: 14.0"(L) x 7.0"(W) x 2.25"(H)



Diagnostic LEDs on both remote diagnostic PCB, and main board, and also dry contact for sensing, and alarming both ballast/lamp operation, and failure.



Allanson
LIGHTING TECHNOLOGIES

