

UVB464T5-425-MV

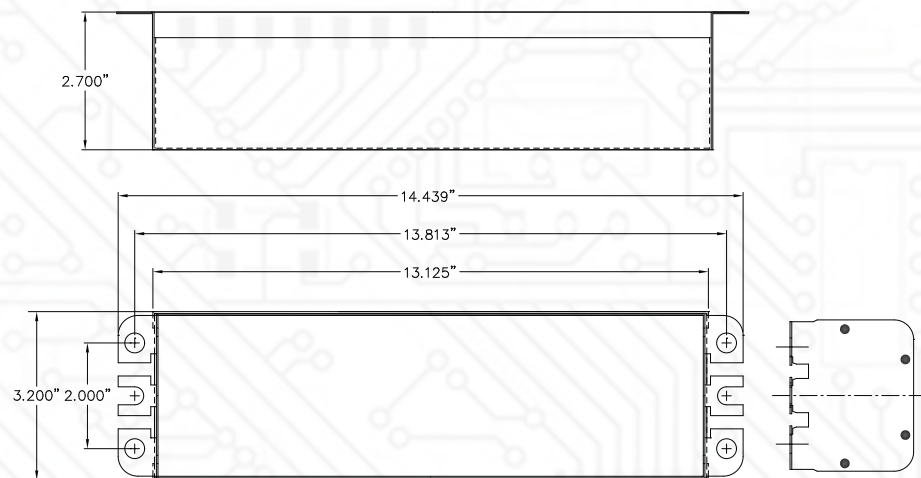
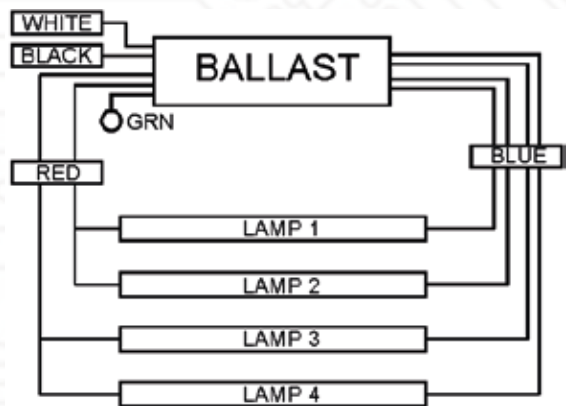
Lamp Type /Catalog #	Manufacturer	Power (W)	Current (mA)
G64T5VH	Heraeus	74	420
GPH1630T5VH	Light Sources	79	425
GPH1148T5VH	Light Sources	55	425
TUV64T5 HE	Philips	75	425
TUV36T5 HE	Philips	40	425
G64T5VH	Atlantic UV	65	425

Ballast Specifications

Ballast type: Instant Start (IS)
Number of lamps: 2 to 4
Normal input voltage: 120-277V, +/-10%, 50/60 Hz
Input current: 3.0A(120V)/1.38A(277V)
Input current THD: < 10%
Input power: 355W @ full load
Approvals: UL/cUL Listed,
 Class "P", Indoor, Type 1

Operating frequency: > 20kHz
Lamp current crest factor: 1.7 or less
Power factor: > 95%
Efficiency: > 90%
Ambient temperature: 0-40°C
Case maximum temperature: 75°C
Sound rating: "A"
Weight: 8.15 lbs

Wiring Diagram and Dimensions



Allanson
 LIGHTING TECHNOLOGIES

