

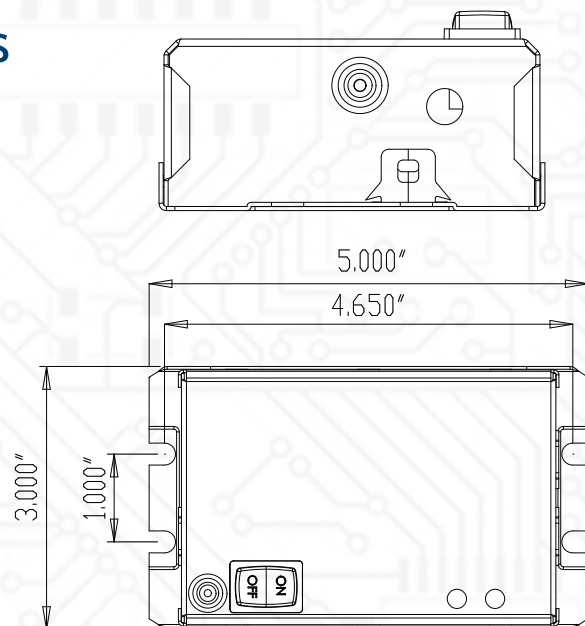
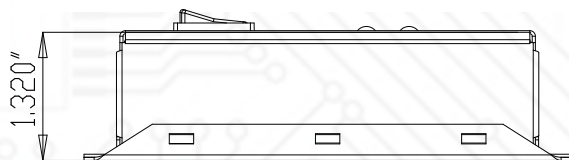
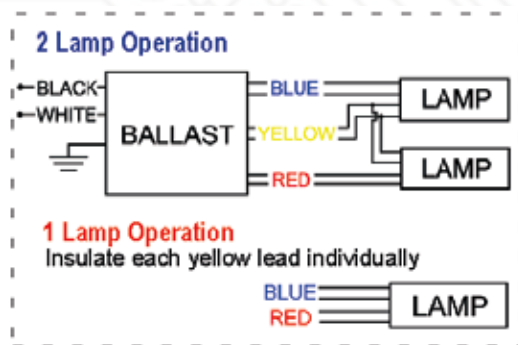
### UVB50W-120-240V-TA

Lamp Type /Catalog #	Manufacturer	Power (W)	Current (mA)
ASIH1003 (17")	Ultravation	24	400
ASIH1001 (12")	Ultravation	16	400
TUV 25W 4P SE	Philips	23	350
GPH436T5VH/4	Heraeus	21	400
GPH436T5L	First Light	25	450
GPH463T5L/4	Atlantic	23	425

### Ballast Specifications

<b>Ballast type:</b>	Program Start (PS)	<b>Power factor:</b>	> 95%
<b>Number of lamps:</b>	1 or 2	<b>Efficiency:</b>	> 90%
<b>Normal input voltage:</b>	120-240V, +/-10%, 50/60 Hz	<b>Ballast shut down/protection:</b>	EOL/OC
<b>Input current:</b>	0.42A(120V)/0.22A(240V)	<b>Status indication/Alarm:</b>	timer, buzzer, reset switch, LEDs
<b>Input current THD:</b>	< 10%	<b>Ambient temperature:</b>	0-40°C
<b>Input power:</b>	50W @ full load	<b>Case maximum temperature:</b>	75°C
<b>Operating frequency:</b>	> 25kHz	<b>Sound rating:</b>	"A"
<b>Lamp current crest factor:</b>	1.7 or less	<b>Weight:</b>	1.10 lbs
<b>Approvals:</b>	UL/cUL Listed, Class "P", Indoor, Type 1		

### Wiring Diagram and Dimensions



**Allanson**  
 LIGHTING TECHNOLOGIES



33 Cranfield Road, Toronto, ON M4B 3H2

www.allanson.com | cservice@allanson.com | T: 1.800.661.7251 | F: 416.752.6717