

Technical Bulletin

Wiring For Constant & Interrupted Duty Controls On Burners

Allanson's electronic Ignitors have color coded lead wires designed to make this application quick and easy. Preventative maintenance is always time saving. Check the wiring in your junction box to ensure it is correct BEFORE firing up a new burner.

Constant Duty

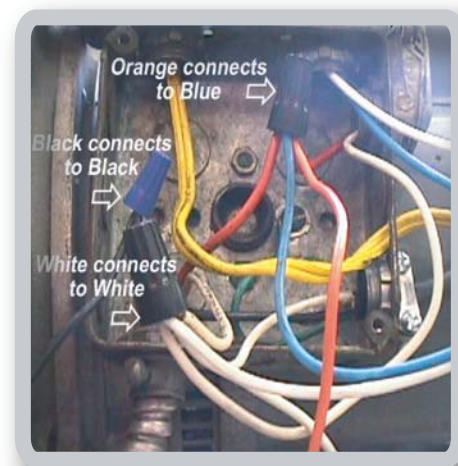
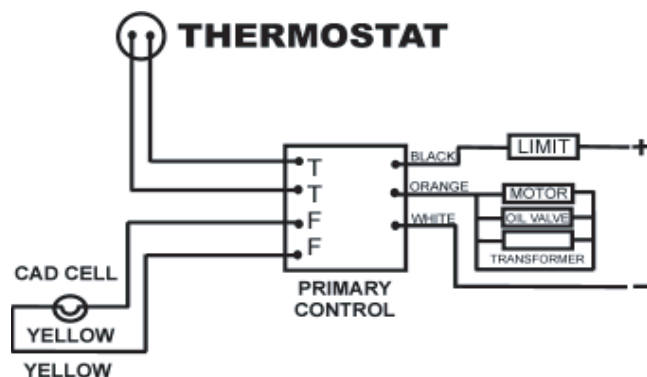
Once placed in operation, intended to remain energized continuously until it is manually interrupted. When routing the color coded leads through the junction box from the Ignitor, simply connect the BLUE wire from the Ignitor to the ORANGE wire from the control box. Connect all remaining BLACK wires together and all remaining WHITE wires together (including Ignitor wire).

Interrupted Duty

Energized prior to admission of fuel to the main burner, and de-energized when the main flame is established.

If the unit is interrupted duty simply connect the BLUE wire from the Ignitor to the BLUE wire on the control box and connect all WHITE wires together and all BLACK wires together.

Improper wiring bypasses the cad cell relay, resulting in the Ignitor running 24 hours a day, even when



Continuous Duty

www.allanson.com

USA | 99 Adams Blvd. | Farmingdale, New York | 11735
 Phone: 631-293-3880 | Fax 1-631-293-3470

CANADA | 33 Cranfield Road | Toronto, Ontario | M4B 3H2
 Phone: 416-755-1191 | Toll-Free 1-877-264-8444 | Fax 1-877-278-0907